

LITA

Design David Dolcini



Type: Table

Lamps: **D92=18** Max 20W G9
D92V18 Max 4W G9 LED
D92=30 Max 60W E26 A21
D92V30 Max 18W E26 SBLED

Product use: Indoor

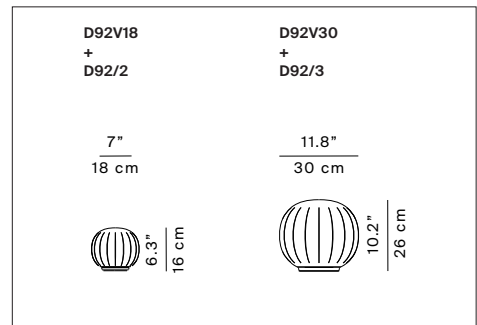
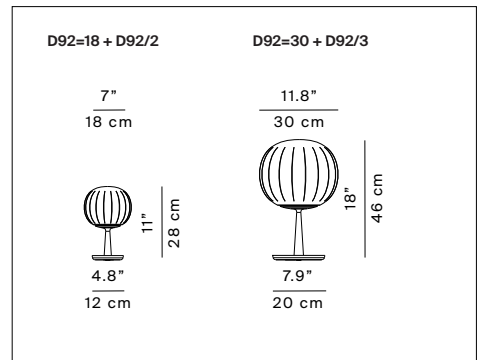
Materials: Solid ash wood or painted aluminium, blown glass diffuser

Colors: **Structure:** painted matt white, brass or ash wood
Diffuser: satin opal

Description: The diffuser in opaline blown glass – whose surface is scanned by the repetition of slight vertical cusps that vanish at the extremities – is combined with a wooden or aluminium structure, making Lita a product with a forceful material character. A timeless and evocative object that combines the crafts tradition with technical research, seductive in its way of matching visual and tactile sensations.

Marking:  (*) product supplied with FSC™ certification

Reference code:	Structure		
	D92=18	1D920=180502	white painted aluminium
	D92=18	1D92Z=180599	ash wood (*)
	D92V18	1D920V180500	white painted aluminium
	D92V18	1D920V180530	brass
	D92=30	1D920=300502	white painted aluminium
	D92=30	1D92Z=300599	ash wood (*)
	D92V30	1D920V300500	white painted aluminium
	D92V30	1D920V300530	brass
	Diffuser		
	D92/2	1D920/200002	opal (Ø 7")
	D92/3	1D920/300002	opal (Ø 11.8")



The mark of responsible forestry